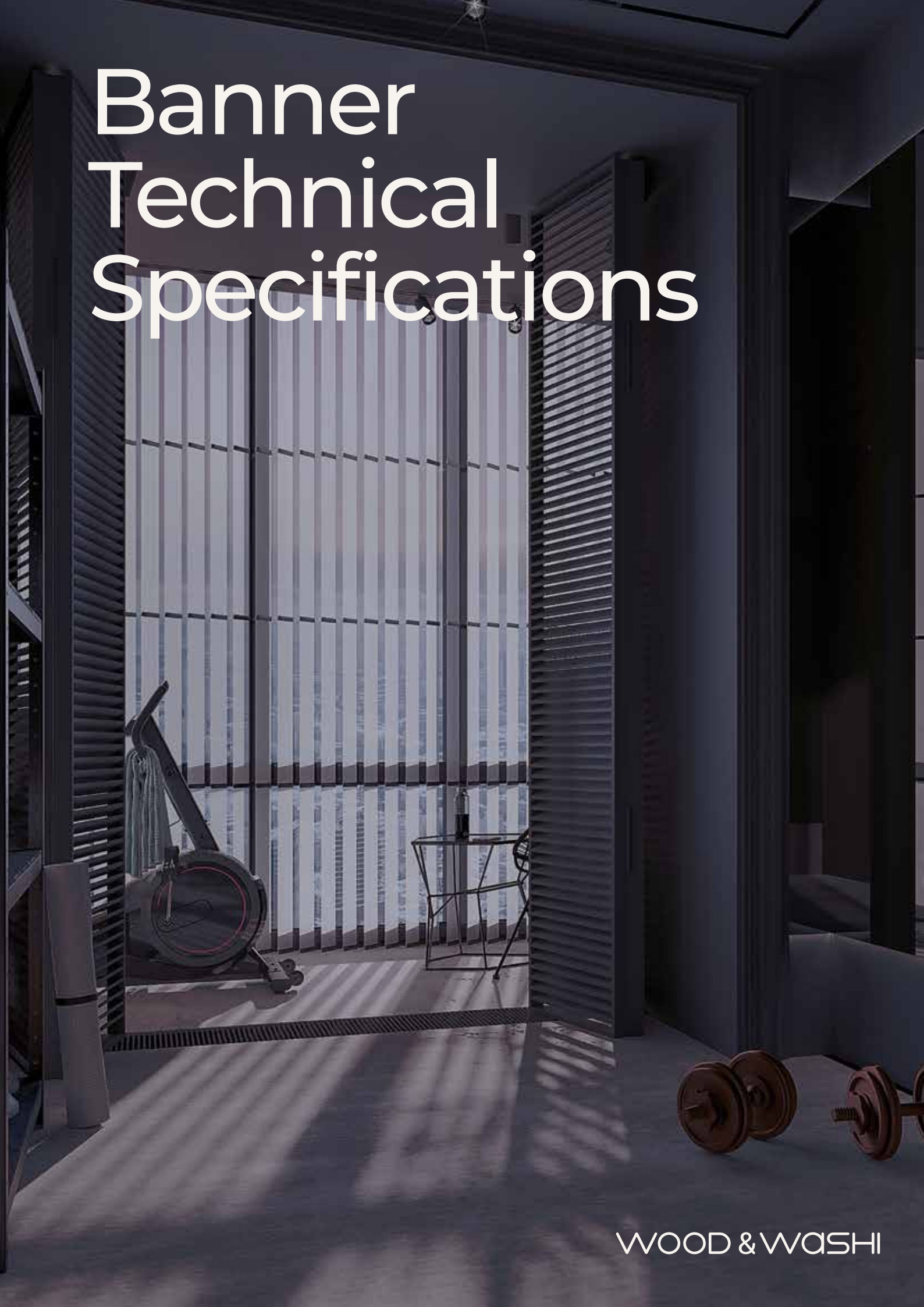


Banner Technical Specifications



Adaptable design

Banner is made of vertical blinds that can be smoothly turned or moved as well as fully pulled in. Banner allows for optimum control over light and view. Any desired position can be set for each time of day. Banner is produced with 230 mm wide blinds with one to five segments. The chosen number of segments is distributed evenly on a blind. If desired, Banner can be supplied with variable space between ribs or more ribs added. Banner is perfect for big windows and slopes.

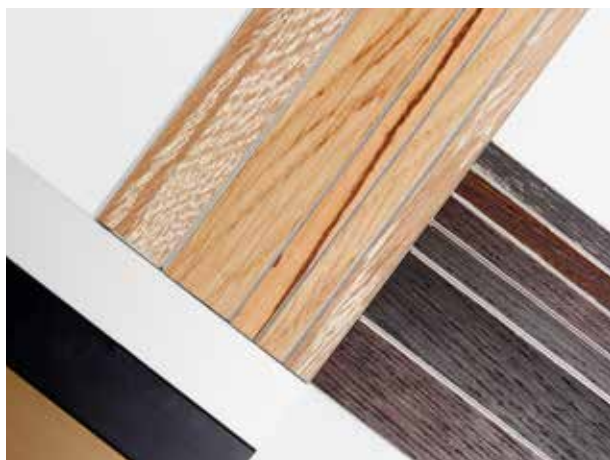
Blinds

Washi

All screens in the Washi collections can be used for Banner, and it is possible to combine several types in one product and one blind. LX-Washi is only supplied with 25 mm ribs.

Textures

All fabrics in the Textures collections have B1 class fire resistance and are suited for Banner. Translucent and semi-translucent canvases create a special and functional effect.



Ribs

There is a double-sided 25 mm rib on the top and on the bottom of each Banner blind. Middle ribs may be 10 mm (except LX-Washi) or 25 mm. The ribs are always installed on both sides and are distributed evenly along with the height. Sectioning may be altered upon request.

A special effect can be achieved by combining Aluminium or aluminium color ribs on one side and Aluminium Wood on the other side.

Print

Custom design

To personalize Banner even more, it is possible to customize Washi with a unique print. For example, a logo, house color and / or a special effect can be added at wish. The prints are very colorfast.

Wood & Washi will gladly help to choose. A professional and motivated team is available for support.



Guidance rails

Wood & Washi Banner is supplied with a manual driven guidance rail. A guidance chain helps turn the blinds. A weighted cord is used to move the blinds sideways.

The overlap width for the blinds is from 2 cm to 5 cm and is calculated based on the length of the guide rail.

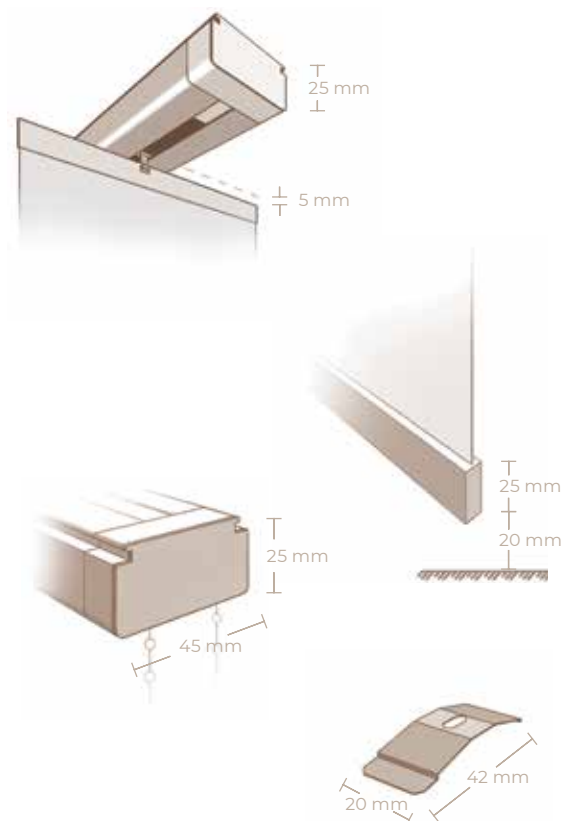
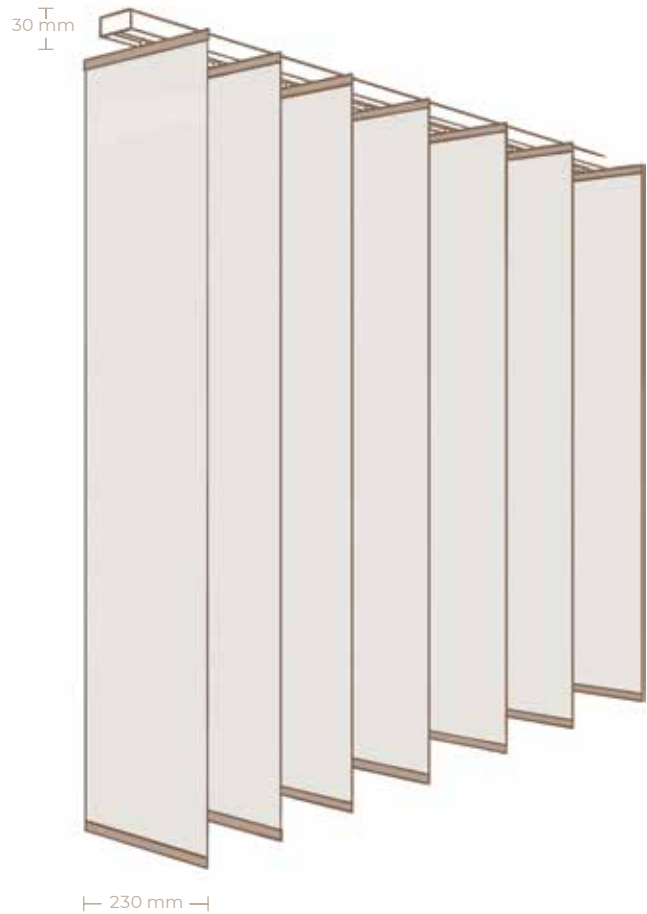
The guidance rail can be completed with an electric drive upon request.

Cord or chain control

If a system is equipped with a cord/chain, the cord and chain are placed on the same side and can, as desired, be positioned on the left or the right.

Package

The package with the 'parked' blinds can be placed on the left, on the right, both on the left and the right (closing into the middle), or in the middle.



System width, cm	Package width, cm
100	14
200	22
300	30
400	38
500	46
600	54

Sizes

Precise dimension and final product size

- When ordering a guidance rail or a system with an exact dimension indication, a 10 mm gap is subtracted from the default width.
- When ordering Banner with an indication of distance from the ceiling to the floor, a standard gap of 2 cm to the floor will be taken into account.

Banner is supplied in accordance with EN 13120 European directives. That's why it's vital to indicate mounting height or chain length when ordering. If mounting height is unknown, the cord or chain length is calculated according to EN 13120.

Maximum and minimum possible sizes are specified in the price list. Custom sizes are available at request.